

AV & Communications 005A

The 005A series is an Australian Design Award winning Cabinet.

Not only is it Aesthetically pleasing, but veritile to suite office computer room, or other similar environments.

It may be bayed together with multiple racks or cabinets for single continuity.

The 650 cabinet is identical except for the width. This cabinet will accept equipment up to 650mm wide. Its overall width is 725mm plus 20mm for each side panel. It may also be readily bayed up with the 19" cabinet or 650/19 version seamless continuity.

Suitable for Audio Visual, Network Communications, Security equipment.

Available in 8 Powder coated colours.



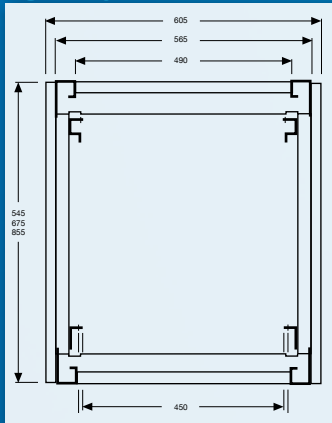
Features

- Fully customisable cabinet to allow Rack World Systems customers to design a 4 Post Open Rack or Enclosed AV Cabinet to their exact requirements. Ensuring the customer receives only the items they require with no additional unnecessary parts for their application.
- Accepts two Types of 19" mounting angles and adjustable front to rear. Conforms to IEC 60297 and AS 1939 standards for 19" racking.
- The frame is constructed from zinc seal phosphated steel and is finished in black powder coat. Panels are constructed from zinc seal phosphated steel can be finished in our choice of 8 colours at no additional charge.
- Built in plinth with holes in the base to allow bolting to the floor.
- Removable bottom trims at front and rear of built in plinth, to allow cable access when through the floor entry is not available.
- Leveling feet brackets for retro fit of levelling feet.
- Optional top panels with removable gland plate for cable access. Available as solid or vented. The vented top allows 2, 4, or 6 fans

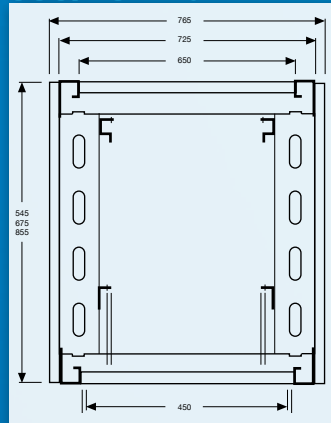
005 A 650/19' Frames

RU	USABLE HEIGHT	OVERALL HEIGHT	MAX USABLE DEPTH	OVERALL DEPTH	19" CODE	19" WEIGHT	650 CODE	650 WEIGHT	650/19" CODE	650/19" WEIGHT
12	534	676	405	545	02200.21	34	02201.16	40	02204.16	40
			535	675	02200.25	40	02201.20	46	02204.17	48
			715	855	02200.29	43	02201.24	49	02204.18	51
18	800	942	405	545	02200.22	44	02201.17	50	02204.19	52
			535	675	02200.26	50	02201.21	56	02204.20	58
			715	855	02200.30	55	02201.25	61	02204.21	63
24	1067	1209	405	545	02200.23	54	02201.18	60	02204.22	63
			535	675	02200.27	60	02201.22	66	02204.23	69
			715	855	02200.31	67	02201.26	73	02204.24	76
27	1200	1342	405	545	02200.01	59	02201.01	65	02204.01	68
			535	675	02200.04	65	02201.04	71	02204.04	74
			715	855	02200.07	73	02201.07	76	02204.07	82
33	1467	1609	405	545	02200.24	69	02201.19	76	02204.25	80
			535	675	02200.28	75	02201.23	83	02204.26	87
			715	855	02200.32	83	02201.27	91	02204.27	95
39	1734	1876	405	545	02200.02	79	02201.02	86	02204.02	90
			535	675	02200.05	86	02201.05	94	02204.05	98
			715	855	02200.08	96	02201.08	104	02204.08	108
45	2000	2142	405	545	02200.03	89	02201.03	97	02204.03	101
			535	675	02200.06	97	02201.06	105	02204.06	109
			715	855	02200.09	109	02201.09	117	02204.09	121

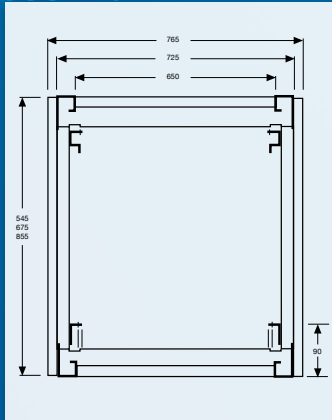
19' Plan



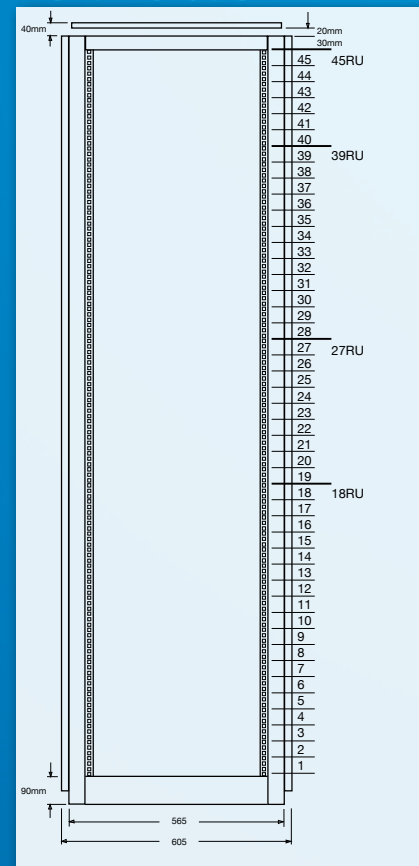
650/19' Plan



650 Plan



Front Elevation



Note All codes need RWS- Prefix

005 A&B Doors

LH 650 RH 650
650/19" 650/19"

005 A&B Divider Panels Side Panels

RU	TYPE		LH 19" CODE	RH 19" CODE	650/19" CODE	650/19" CODE	
12	METAL LOCKABLE	Plain	02006.21	02007.21	02006.24	02007.24	
		Vented Server	02037.01	02037.02	02037.51	02037.52	
	METAL MAGNETIC	Plain	02006.30	02007.29	02006.37	02007.35	
		Vented Server	02039.01	02039.02	02039.50	02039.51	
18	GLASS . LOCKABLE		02009.13	02010.13	02009.17	02010.17	
			02011.13	02012.13	02011.17	02012.17	
		ACRYLIC . LOCKABLE	02089.19	02090.15	02089.20	02090.19	
		ACRYLIC . MAGNETIC	02091.14	02092.14	02091.17	02092.17	
	METAL LOCKABLE	Plain	02006.16	02007.16	02006.25	02007.25	
		Vented Server	02037.03	02037.04	02037.53	02037.54	
		METAL MAGNETIC	Plain	02006.31	02007.30	02006.38	02007.36
		Vented Server	02039.03	02039.04	02039.52	02039.53	
	24	GLASS . LOCKABLE		02009.14	02010.14	02009.18	02010.18
				02011.14	02012.14	02011.18	02012.18
			ACRYLIC . LOCKABLE	02089.14	02090.16	02089.16	02090.13
			ACRYLIC . MAGNETIC	02091.13	02092.13	02091.18	02092.18
METAL LOCKABLE		Plain	02006.22	02007.22	02006.26	02007.26	
		Vented Server	02037.05	02037.06	02037.55	02037.56	
		METAL MAGNETIC	Plain	02006.32	02007.31	02006.39	02007.37
		Vented Server	02039.05	02039.06	02039.54	02039.55	
27	GLASS . LOCKABLE		02009.15	02010.15	02009.19	02010.19	
			02011.15	02012.15	02011.19	02012.19	
		ACRYLIC . LOCKABLE	02089.18	02090.17	02089.21	02090.20	
		ACRYLIC . MAGNETIC	02091.15	02092.15	02091.19	02092.19	
	METAL LOCKABLE	Plain	02006.01	02007.01	02006.04	02007.04	
		Vented Server	02037.07	02037.08	02037.57	02037.58	
		METAL MAGNETIC	Plain	02006.33	02007.32	02006.40	02007.38
		Vented Server	02039.07	02039.08	02039.56	02039.57	
	GLASS . LOCKABLE		02009.01	02010.01	02009.04	02010.04	
			02011.01	02012.01	02011.04	02012.04	
		ACRYLIC . LOCKABLE	02089.01	02090.01	02089.04	02090.04	
		ACRYLIC . MAGNETIC	02091.01	02092.01	02091.04	02092.04	
33	METAL LOCKABLE	Plain	02006.23	02007.23	02006.27	02007.27	
		Vented Server	02037.09	02037.10	02037.59	02037.60	
		METAL MAGNETIC	Plain	02006.34	02007.43	02006.41	02007.39
		Vented Server	02039.09	02039.10	02039.58	02039.59	
	GLASS . LOCKABLE		02009.16	02010.16	02009.20	02010.20	
			02011.16	02012.16	02011.20	02012.20	
		ACRYLIC . LOCKABLE	02089.23	02090.18	02089.22	02090.21	
		ACRYLIC . MAGNETIC	02091.16	02092.16	02091.20	02092.20	
39	METAL LOCKABLE	Plain	02006.02	02007.02	02006.05	02007.05	
		Vented Server	02037.11	02037.12	02037.61	02037.62	
		METAL MAGNETIC	Plain	02006.35	02007.33	02006.42	02007.44
		Vented Server	02039.11	02039.12	02039.60	02039.61	
	GLASS . LOCKABLE		02009.02	02010.02	02009.05	02010.05	
			02011.02	02012.02	02011.05	02012.05	
		ACRYLIC . LOCKABLE	02089.02	02090.02	02089.05	02090.05	
		ACRYLIC . MAGNETIC	02091.02	02092.02	02091.05	02092.05	
45	METAL LOCKABLE	Plain	02006.03	02007.03	02006.06	02007.06	
		Vented Server	02037.13	02037.14	02037.63	02037.64	
		METAL MAGNETIC	Plain	02006.36	02007.34	02006.43	02007.40
		Vented Server	02039.13	02039.14	02039.62	02039.63	
	GLASS . LOCKABLE		02009.03	02010.03	02009.06	02010.06	
			02011.03	02012.03	02011.06	02012.06	
		ACRYLIC . LOCKABLE	02089.03	02090.03	02089.06	02090.06	
		ACRYLIC . MAGNETIC	02091.03	02092.03	02091.06	02092.06	

RU	DEPTH	CODE
12	545	12025.10
	675	12025.11
	855	12025.12
18	545	12025.13
	675	12025.14
	855	12025.15
24	545	12025.16
	675	12025.17
	855	12025.18
27	545	12025.01
	675	12025.02
	855	12025.03
33	545	12025.19
	675	12025.20
	855	12025.21
39	545	12025.04
	675	12025.05
	855	12025.06
45	545	12025.07
	675	12025.08
	855	12025.09

RU	DEPTH	CODE
12	545	02002.29
	675	02002.30
	855	02002.31
18	545	02002.28
	675	02002.18
	855	02002.32
24	545	02002.33
	675	02002.34
	855	02002.35
27	545	02002.01
	675	02002.02
	855	02002.03
33	545	02002.36
	675	02002.37
	855	02002.38
39	545	02002.05
	675	02002.06
	855	02002.07
45	545	02002.09
	675	02002.10
	855	02002.11

These flat panels are for use between bayed cabinets when cabinet isolation is required.

These panels and their mounting are common to all 005 A & B range of cabinets. They mount on lift off type buttons two of which provide a panel earth point on each panel.

005 A&B Flush Panels

RU	19" CODE	650 CODE
12	02034.04	02034.23
18	02034.05	02034.24
24	02034.06	02034.25
27	02034.01	02034.20
33	02034.07	02034.26
39	02034.02	02034.21
45	02034.03	02034.22

Rear panels are generally used to restrict access to the cabinet where its not up against a wall, or when a door is not required.

005 A&B Top Panels

WIDTH	DEPTH	PLATE CODE		
		PLAIN	VENTED	GRILLE WITH GLAND
19"	545	02004.01	02004.20	02005.50
	675	02004.02	02004.21	02005.51
	855	02004.03	02004.22	02005.52
650	545	02004.05	02004.24	02005.54
	675	02004.06	02004.25	02005.55
	855	02004.07	02004.26	02005.56

Top panels may be raised off from the rack frame for ventilation or fastened down onto the frame (non-vented). A grille top is also available and may be fitted with a baffle for dust protection. This top is also used in conjunction with the roof fan tray. (Refer to Accessories section).