

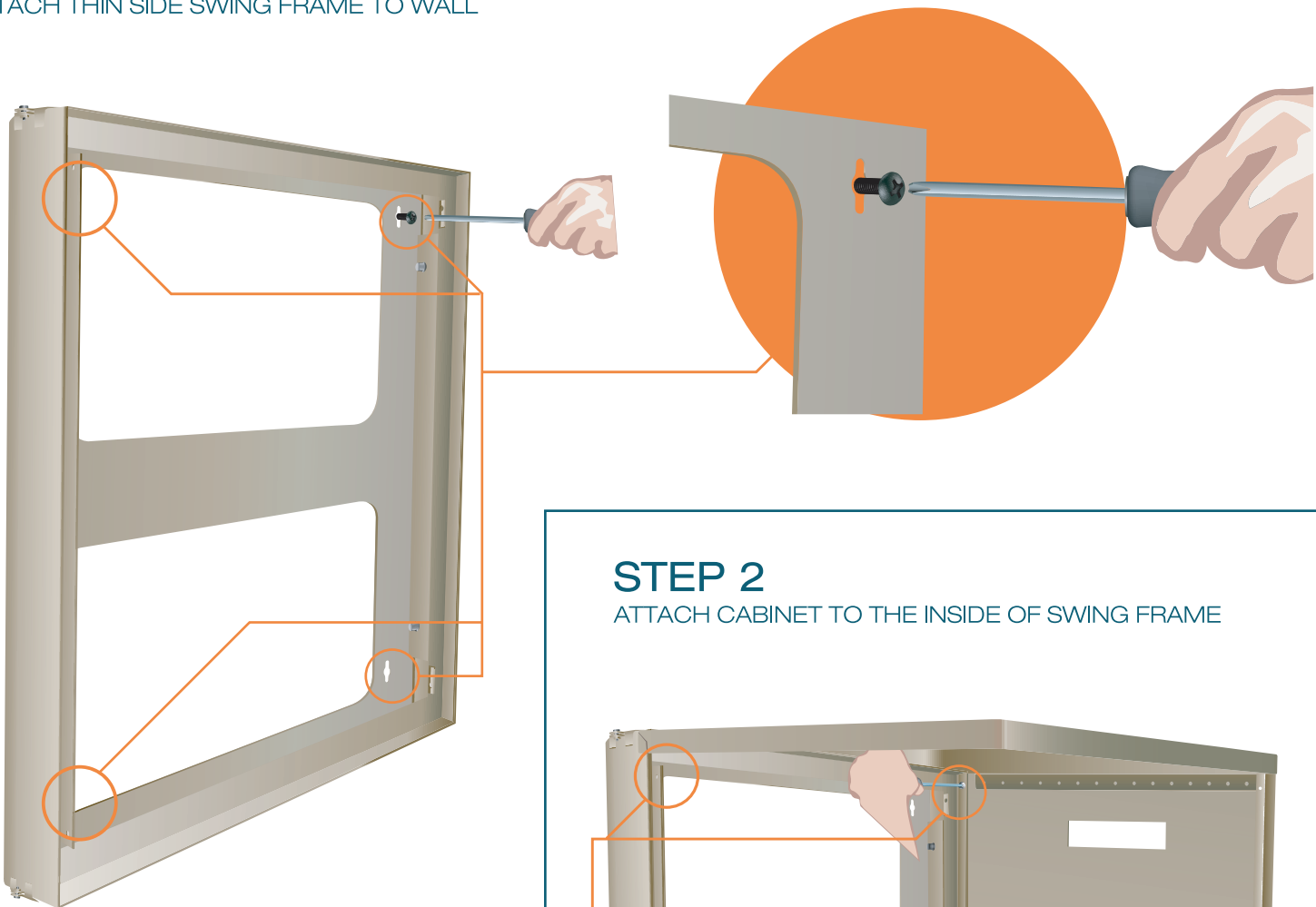


# SWING FRAME

**NOTE:**  
You need to pick up on frame studs in non-solid walls to ensure safe loading of cabinet.  
Fixings will depend on wall type - Not included.

## STEP 1

ATTACH THIN SIDE SWING FRAME TO WALL



## STEP 2

ATTACH CABINET TO THE INSIDE OF SWING FRAME

