



15 / 17 / 19" LCD

Single Rail Console with Modular KVM Switch
Quick Installation Guide

03 9681 7664
+61 3 9681 7664
www.rackworld.com.au

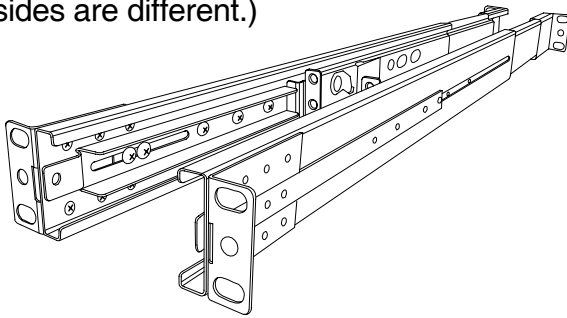
Rev 1.0

Notes:

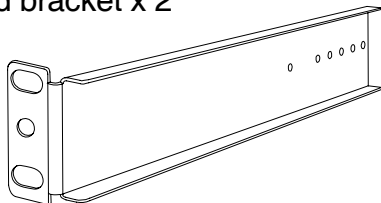
1. Please check all peripherals according the list before installation. To make sure that the whole unit was not damaged and lost during shipping process. If you encounter any problem, please contact your dealer.
2. Before installation, make sure all peripherals and computer have been turned off.
3. The cabinet depth range must be in 504 ~ 1000 mm for 15" and 17" console (554 ~1000 mm for 19" console). Contact your dealer for deeper cabinet application.
4. The cabinet depth is 614 ~ 800 mm for 15" and 17" (664 ~ 800 mm for 19"), please refer to "Step A".
The cabinet depth is 504 ~ 614 mm for 15" and 17" (554 ~ 614 mm for 19"), please refer to "Step B".
The cabinet depth is 800 ~ 1000 mm, please refer to "Step C".
5. Reliable earthing of rack-mounted equipment should be maintained. Particular attention should be given to supply connections other than direct connections to the branch circuit.

Hardware kits contents:

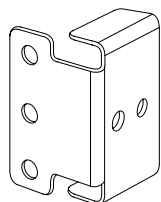
1. Rail with front and rear bracket x 2 (Please identify the brackets. Right and left sides are different.)



2. Extended bracket x 2



3. Short bracket x 2



4. Bracket attachment x 2



**15 / 17" LCD console
bracket attachment**



**19" LCD console
bracket attachment**

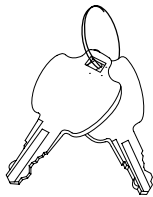
5. Screw (length = 6 mm) x 6



6. Screw x 6

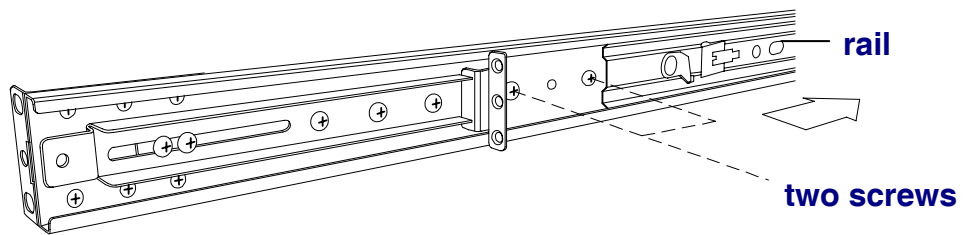


7. Key x 2

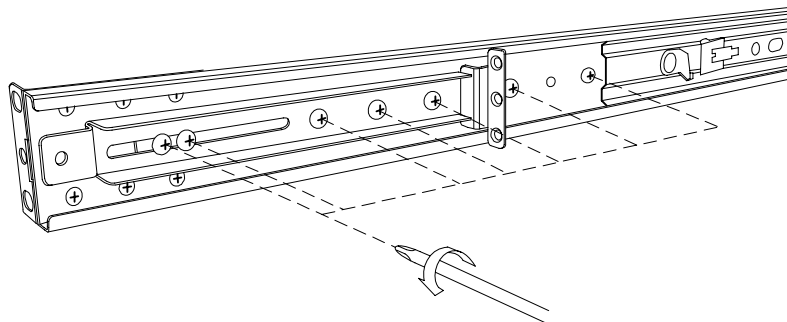


Step A:

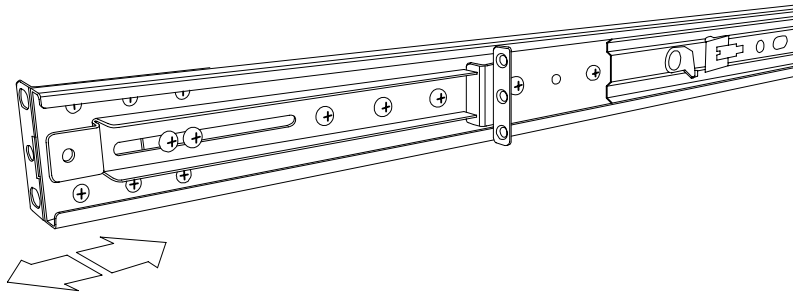
1. Adjust rail until two screws appear.



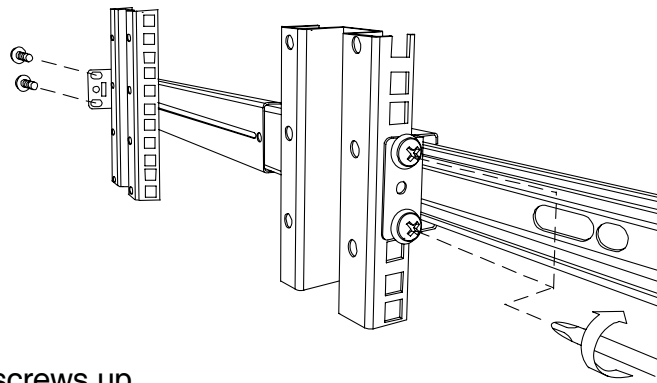
2. Loose (Not remove) seven screws.



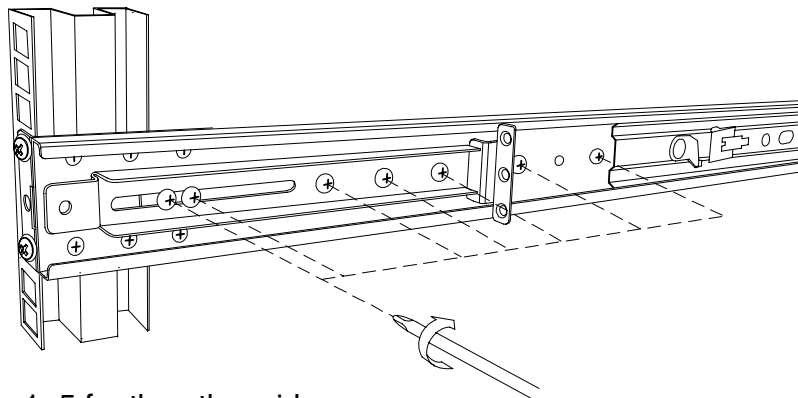
3. Adjust rail to fit your cabinet



4. Install front and rear bracket on cabinet.

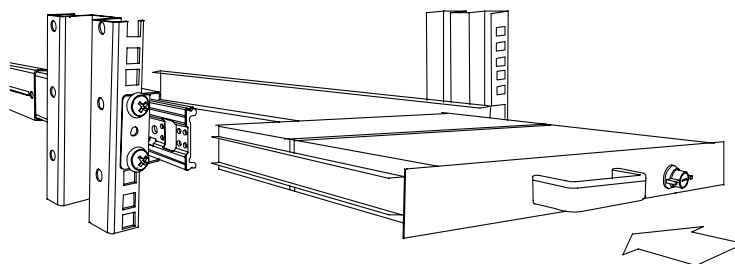


5. Tight seven screws up.

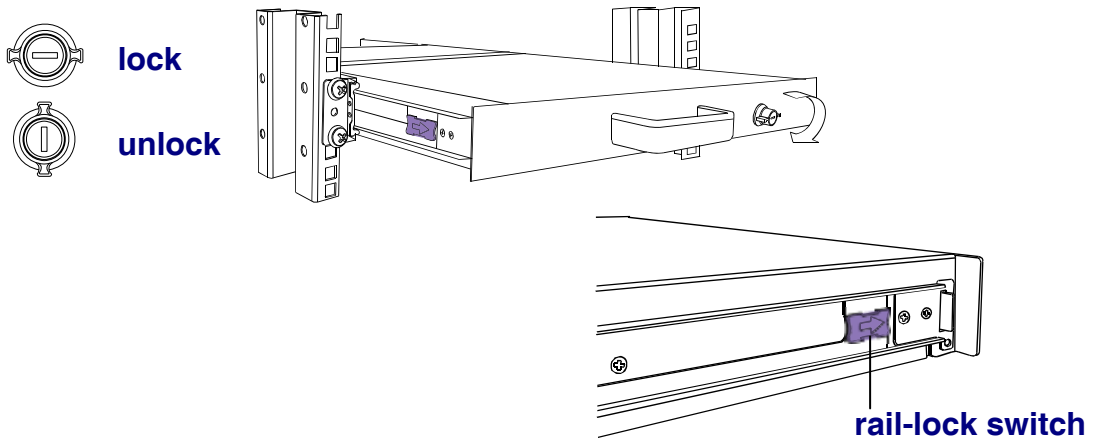


6. Repeat step 1~5 for the other side.

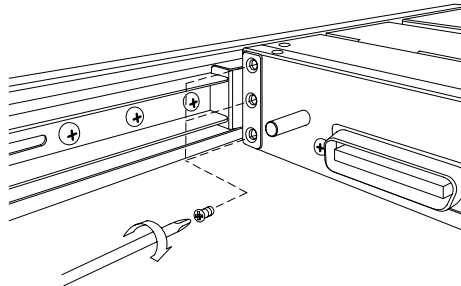
7. Push console into rails. (Be careful rear box loose when take out console from carton.)



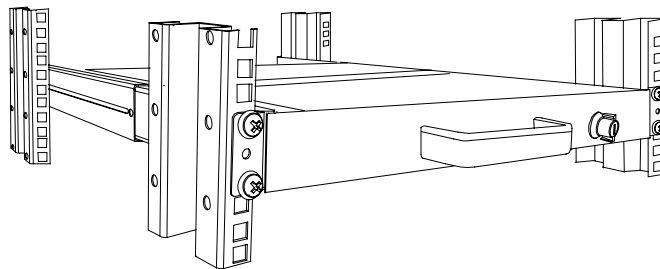
8. Unlock and pull rail-lock switch (left and right at the same time) then push console to the end.



9. Install three screws (length = 6 mm) in rear of the console. (Both sides)

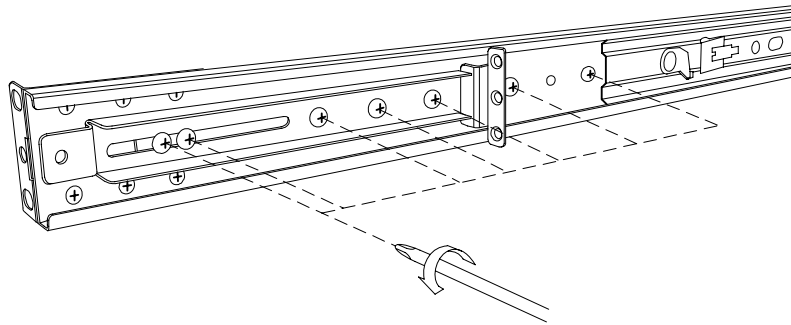


10. Finish installation as below.

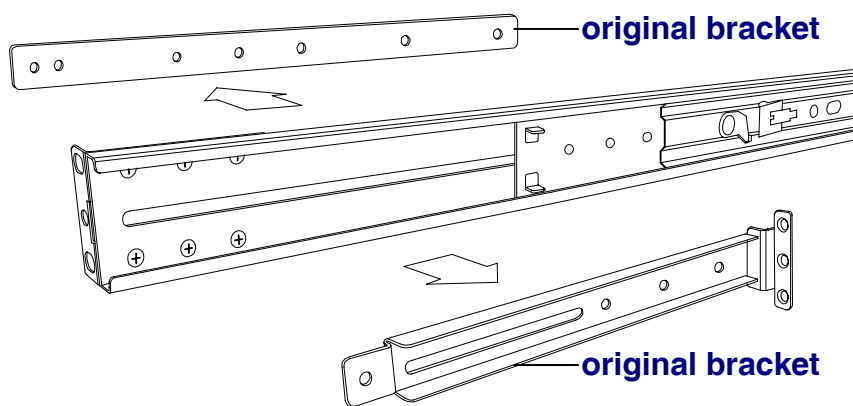


Step B:

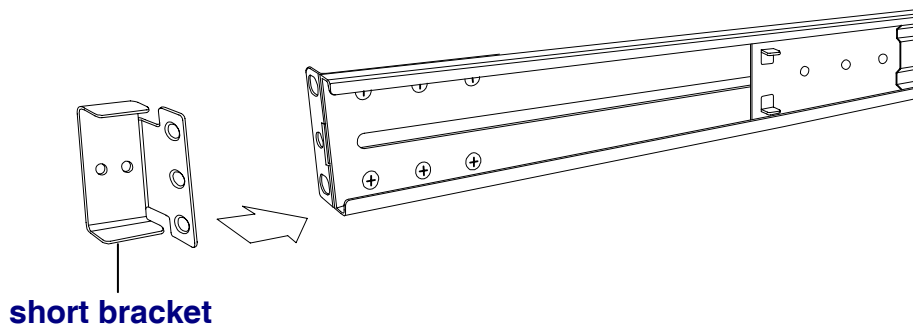
1. Remove seven screws.



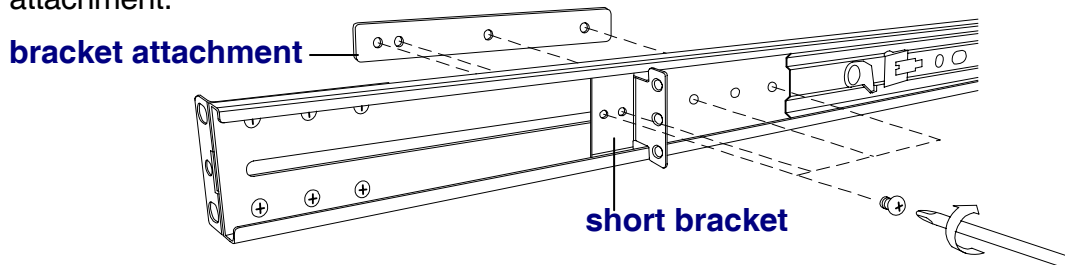
2. Take two original brackets out.



3. Put short bracket to rear of the rail.



4. Install four screws (don't tight-up) to combine rail, short bracket and bracket attachment.

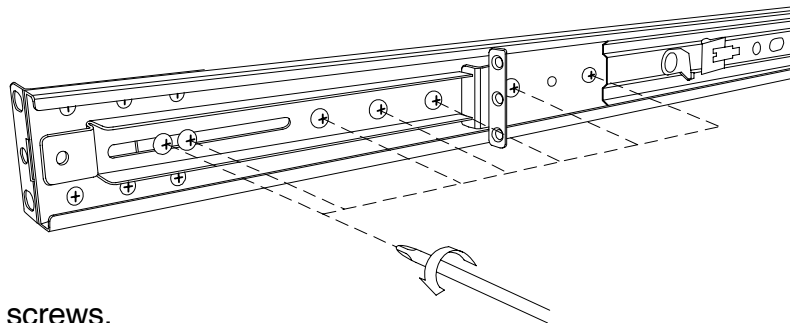


5. Repeat step 1 ~ 4 for the other side.

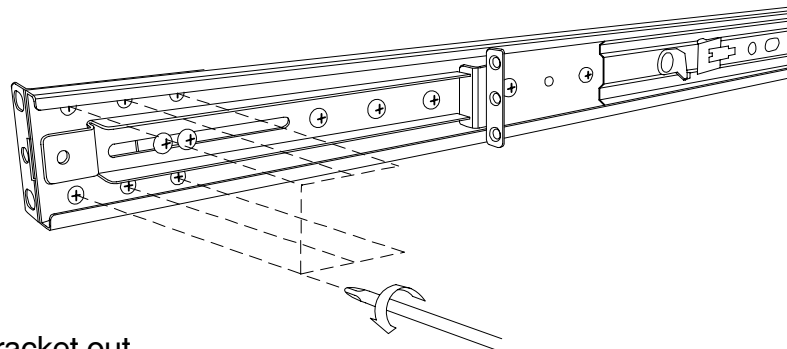
6. Repeat step 3 ~ 10 of step A to finish the installation.

Step C:

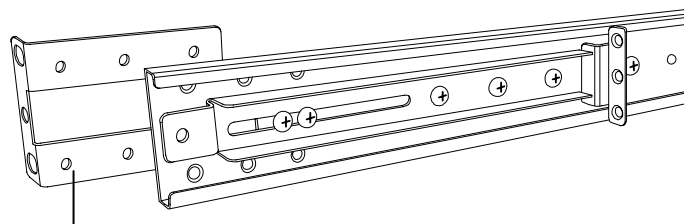
1. Loose (Not remove) seven screws.



2. Release six screws.

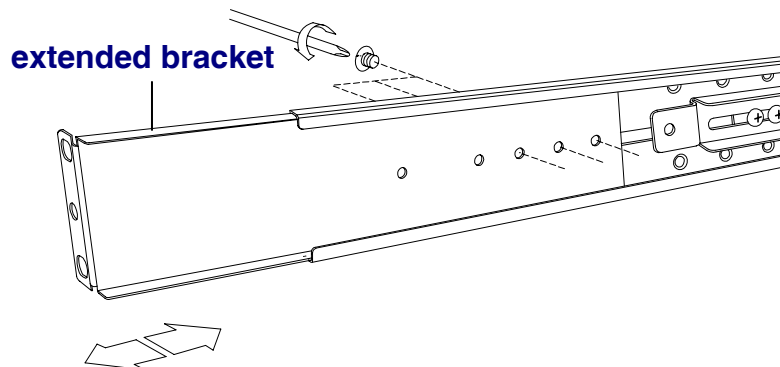


3. Take rear bracket out.



original bracket

4. Adjust rail and input extended bracket to rear of the rail then adjust extended bracket to fit your cabinet. Install unless 2~3 screws (don't tight-up) upon the length you need. One is forbidden.



5. Repeat step 1 ~ 4 for the other side.

6. Repeat step 3 ~ 10 of step A to finish the installation.

15 / 17 / 19" LCD

**Single Rail Console with Modular KVM Switch
Quick Installation Guide**