



15 / 17 / 19" LCD

Dual Rail Console with Modular KVM Switch
Quick Installation Guide

03 9681 7664
+61 3 9681 7664
www.rackworld.com.au

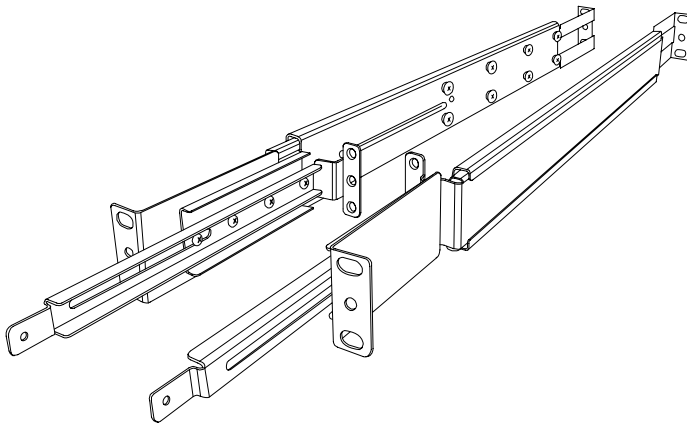
Rev 1.0

Notes:

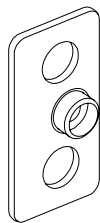
1. Please check all peripherals according the list before installation. To make sure that the whole unit was not damaged and lost during shipping process. If you encounter any problem, please contact your dealer.
2. Before installation, make sure all peripherals and computer have been turned off.
3. The cabinet depth range must be in 570 ~ 870 mm for 15" and 17" console (650 ~ 950 mm for 19" console). Contact your dealer for deeper cabinet application.
4. Reliable earthing of rack-mounted equipment should be maintained. Particular attention should be given to supply connections other than direct connections to the branch circuit.

Hardware kits contents:

1. Rail with front and rear bracket x 2



2. Blocker x 2



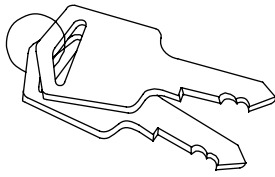
3. Screw x 2



4. Screw (length = 6 mm) x 6

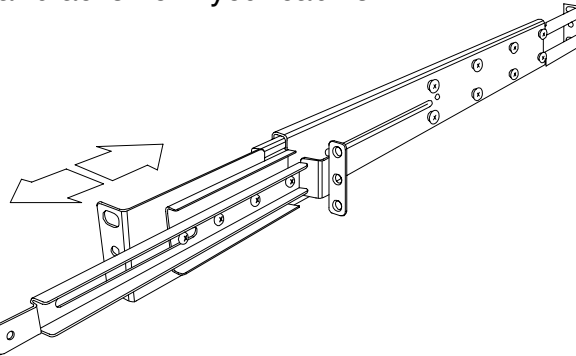


5. Key x 2

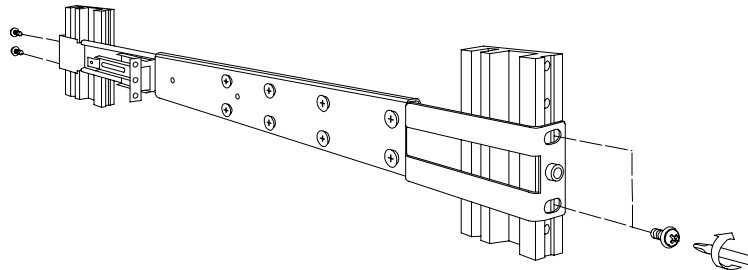


Install console step:

1. Adjust rail with rear bracket to fit your cabinet

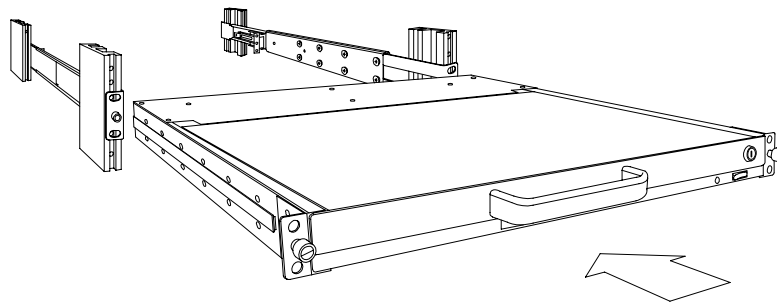


2. Install front and rear bracket on cabinet.

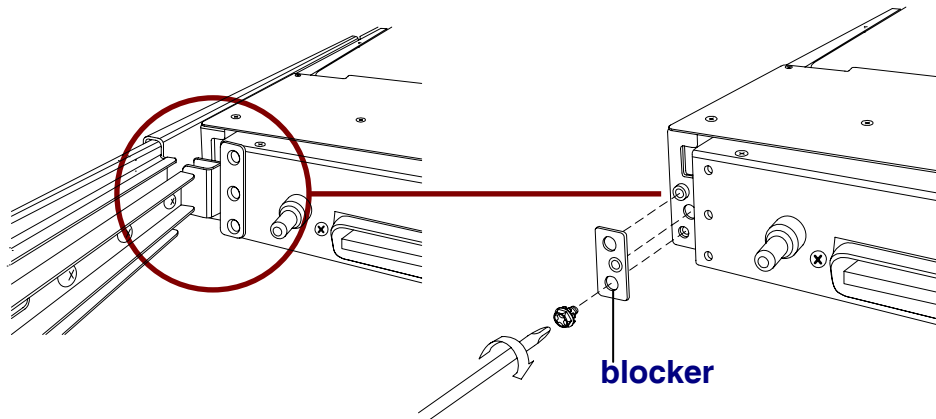


3. Repeat step 1~2 for the other side.

4. Push console into rails and push it to the end.



5. Install a screw to combine blocker and console. (Both sides)



6. Install three screws (length = 6 mm) in rear of the console (Both sides) to finish the installation.

